

# Xe Series

## FAN-COIL AND AIR CONDITIONING CONTROLS



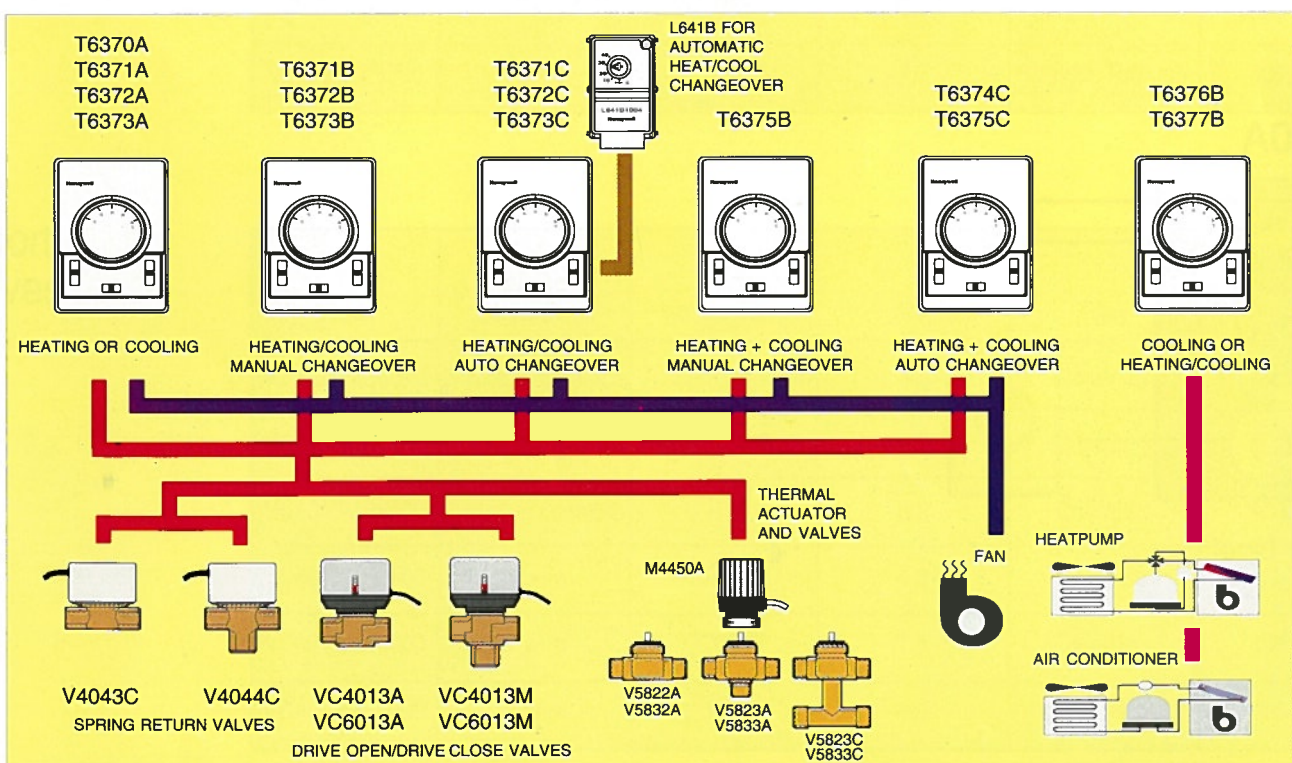
ON/OFF APPLICATION MANUAL

# **XE** Series- more features, more real benefits!



- Single-piece design incorporating a high performance thermostat and up to three switches
- Honeywell's proven thermostat performance with heat anticipator for precise control of heating or cooling
- Large temperature dial with clear figures for ease of operation
- Versions for 2 and 4-pipe fan-coil applications
- Models for heat pumps and air conditioners
- Smart modern styling ideal for office or hotel applications
- Surface or switch-box mounting with ample wiring access and large wiring terminals
- Complete range of matching valves, actuators and fittings
- Full technical support from Honeywell affiliates worldwide

## **XE** SYSTEM ARCHITECTURE

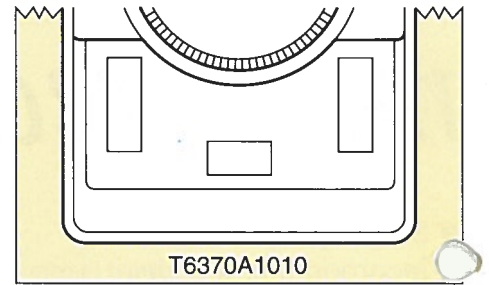
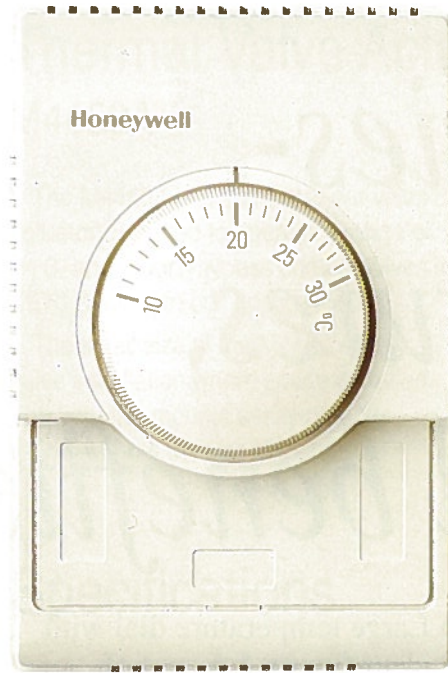


# XE70

## Application

Ventilation	✓
2-Pipe Fan-Coil	*
4-Pipe Fan-Coil	
Air Conditioner	
Heat Pump	

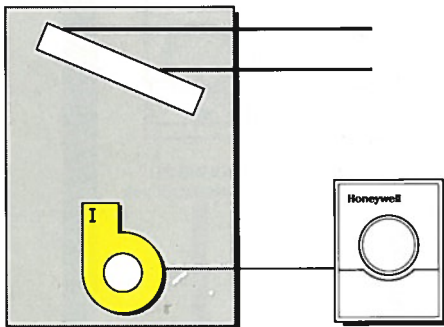
\* optional



## Control Capability

	HEAT OR COOL	HEAT/COOL	CHANGEOVER	FAN CONTROL AUTO OR CONTINUOUS	FAN SPEED CONTROL	VALVE CONTROL	COMPRESSOR CONTROL
T6370A1010	✓			AUTO			

## T6370A



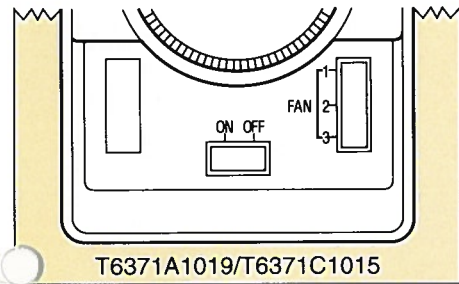
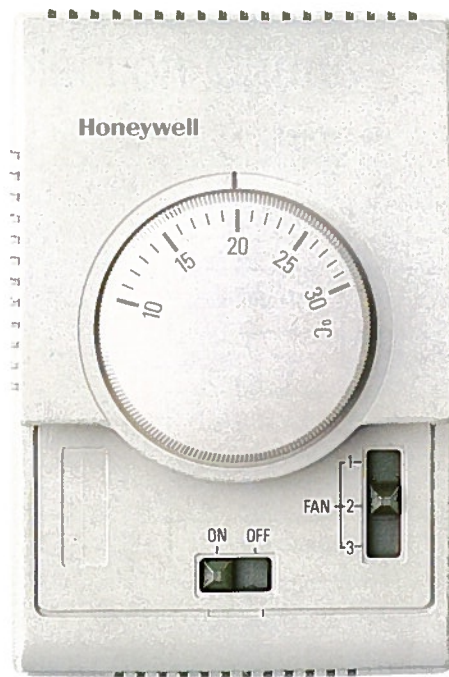
Heat or Cool



## Application

Ventilation	✓
2-Pipe Fan-Coil	✓
4-Pipe Fan-Coil	*
Air Conditioner	
Heat Pump	

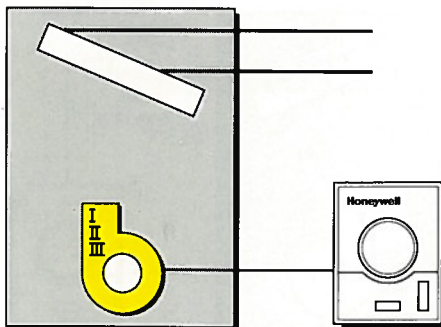
\* optional only for T6371B



## Control Capability

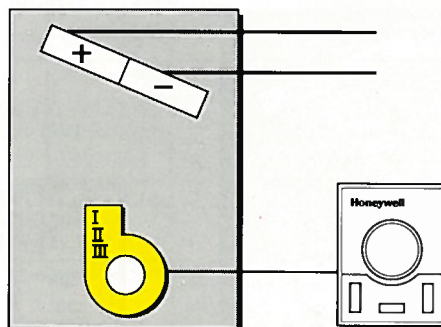
	HEAT OR COOL	HEAT/COOL	CHANGEOVER	FAN CONTROL AUTO OR CONTINUOUS	FAN SPEED CONTROL	VALVE CONTROL	COMPRESSOR CONTROL
T6371A1019	✓			AUTO ✓			
T6371B1017		✓	MANUAL	AUTO ✓			
T6371C1015		✓	AUTO	AUTO ✓			

T6371A



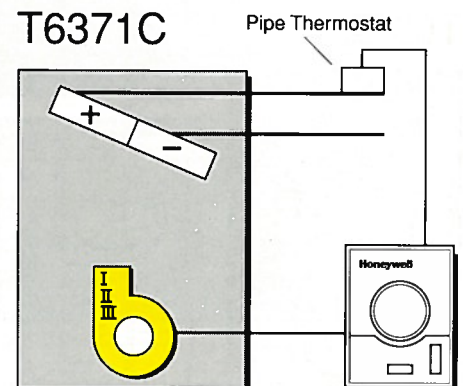
Heat or Cool

T6371B



Heat/Cool  
Manual Heat/Cool Changeover

T6371C



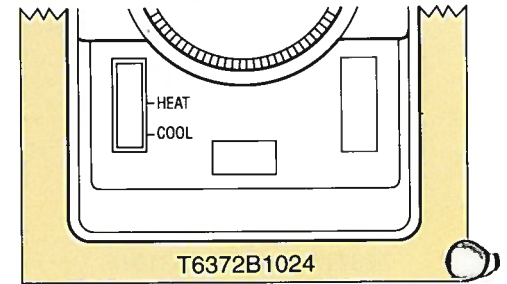
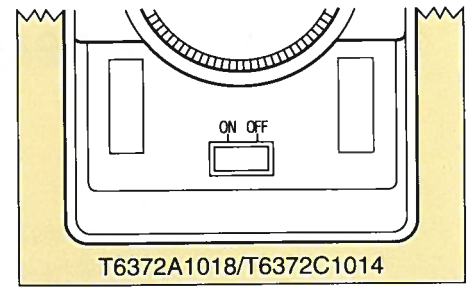
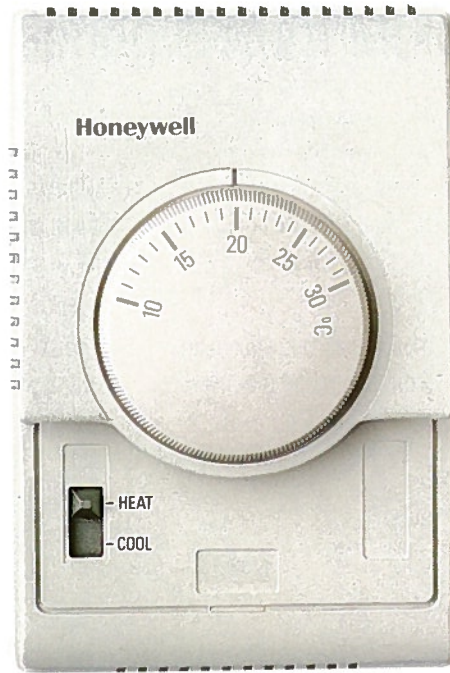
Heat/Cool  
Auto Heat/Cool Changeover

# XE72

## Application

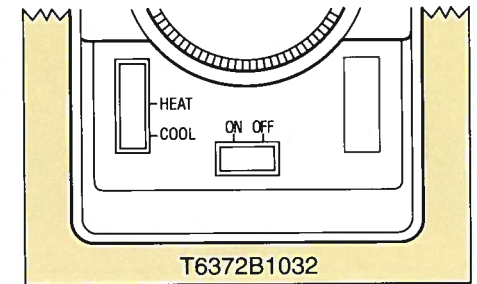
Ventilation	*
2-Pipe Fan-Coil	✓
4-Pipe Fan-Coil	
Air Conditioner	
Heat Pump	

\* optional

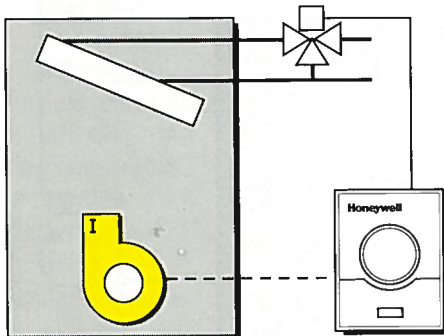


## Control Capability

	HEAT OR COOL	HEAT/COOL	CHANGEOVER	FAN CONTROL AUTO OR CONTINUOUS	FAN SPEED CONTROL	VALVE CONTROL	COMPRESSOR CONTROL
T6372A1018	✓			EITHER		✓	
T6372B1024		✓	MANUAL	EITHER		✓	
T6372B1032		✓	MANUAL	EITHER		✓	
T6372C1014		✓	AUTO	EITHER		✓	

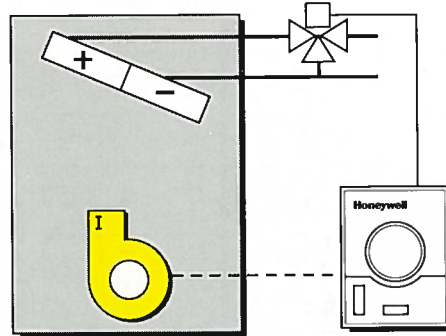


### T6372A



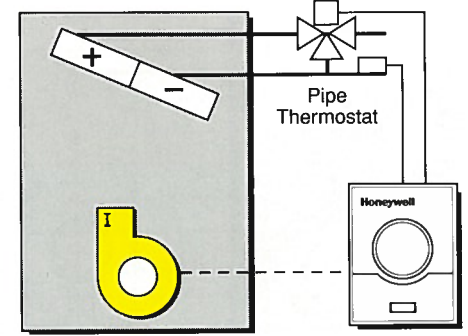
Heat or Cool  
Optional Fan Control  
Fan Auto or Continuous

### T6372B

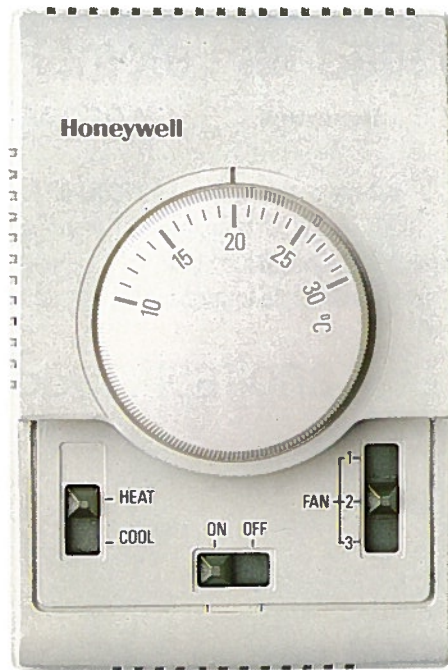
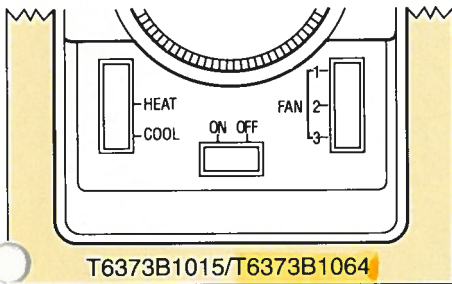
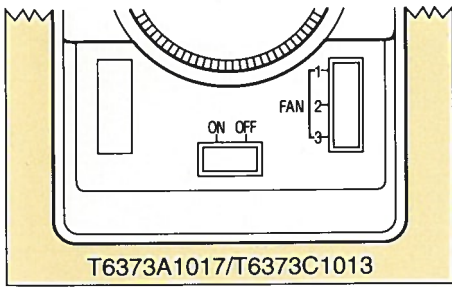


Heat/Cool  
Manual Heat/Cool Changeover  
Optional Fan Control  
Fan Auto or Continuous

### T6372C



Heat/Cool  
Auto Heat/Cool Changeover  
Optional Fan Control  
Fan Auto or Continuous



# XE73

## Application

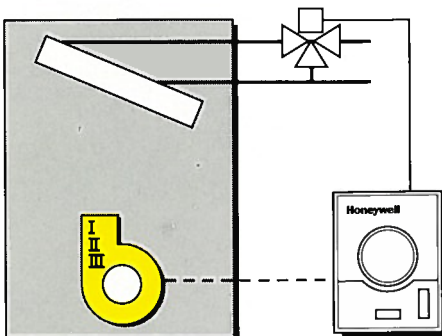
Ventilation	
2-Pipe Fan-Coil	✓
4-Pipe Fan-Coil	
Air Conditioner	
Heat Pump	

\* optional

## Control Capability

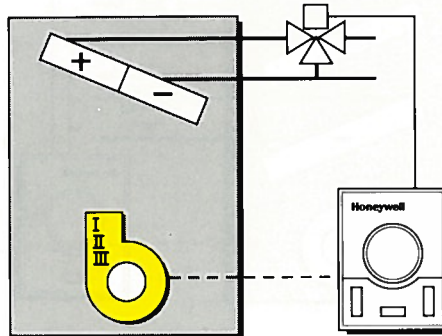
	HEAT OR COOL	HEAT/COOL	CHANGEOVER	FAN CONTROL AUTO OR CONTINUOUS	FAN SPEED CONTROL	VALVE CONTROL	COMPRESSOR CONTROL
T6373A1017	✓			CONT	✓	✓	
T6373B1015		✓	MANUAL	CONT	✓	✓	
T6373B1064		✓	MANUAL	EITHER	✓	✓	
T6373C1013		✓	AUTO	CONT	✓	✓	

### T6373A



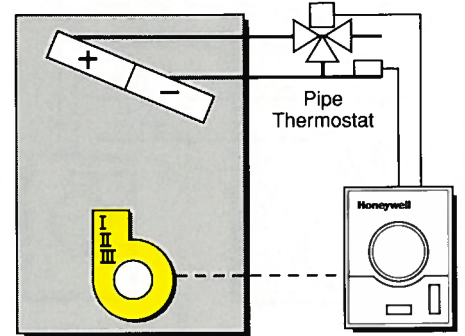
Heat or Cool  
Optional Fan Control  
Fan Continuous

### T6373B



Heat/Cool  
Manual Heat/Cool Changeover  
Optional Fan Control  
Fan Continuous

### T6373C



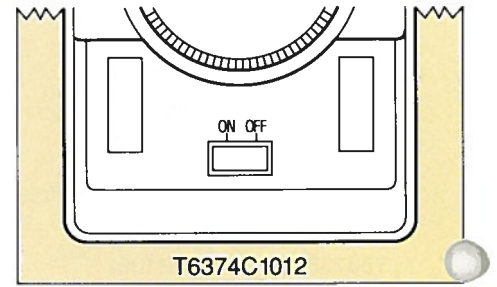
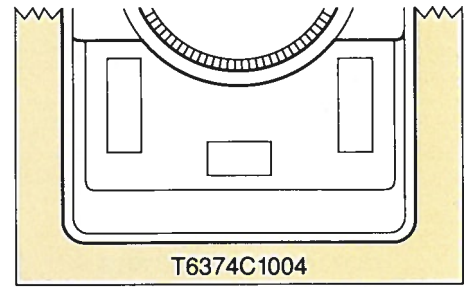
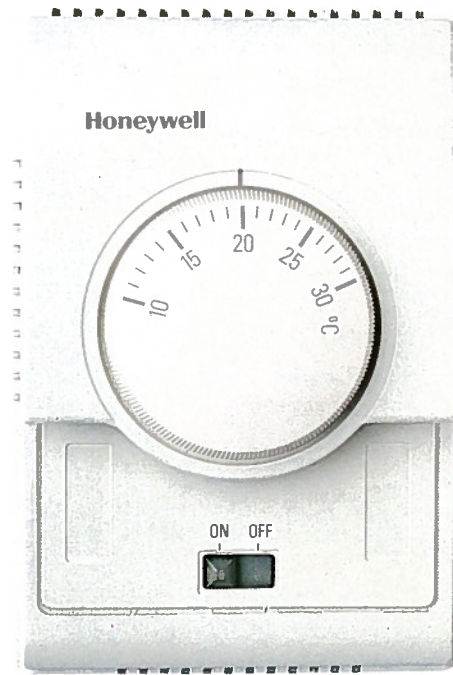
Heat/Cool  
Auto Heat/Cool Changeover  
Optional Fan Control  
Fan Continuous

# XE74

## Application

Ventilation	
2-Pipe Fan-Coil	
4-Pipe Fan-Coil	✓
Air Conditioner	*
Heat Pump	

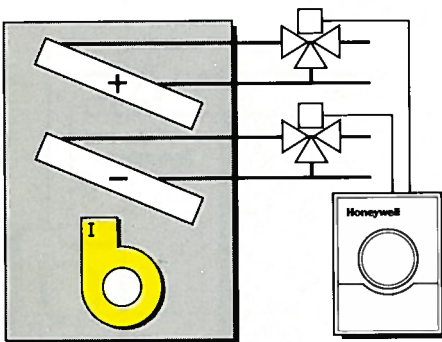
\* optional



## Control Capability

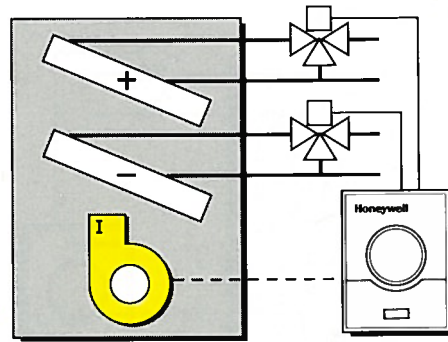
	HEAT OR COOL	HEAT/COOL	CHANGEOVER	FAN CONTROL AUTO OR CONTINUOUS	FAN SPEED CONTROL	VALVE CONTROL	COMPRESSOR CONTROL
T6374C1004	✓	AUTO			✓		
T6374C1012	✓	AUTO	CONT		✓		

### T6374C

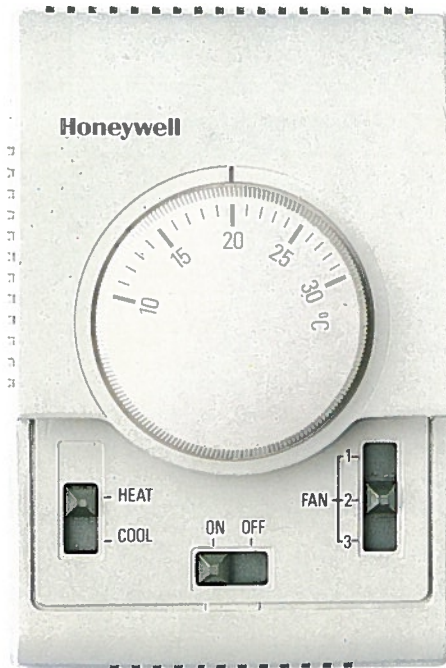
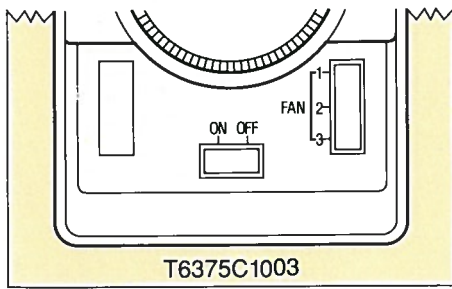


Heat/Cool  
Auto Heat/Cool Changeover

### T6374C



Heat/Cool  
Auto Heat/Cool Changeover  
Optional Fan Control  
Fan Continuous

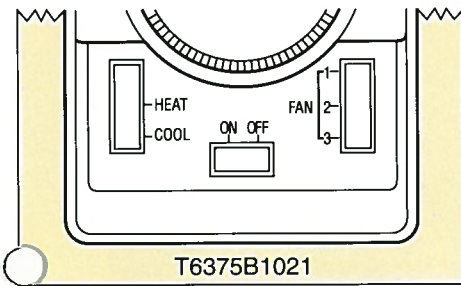


# XE75

## Application

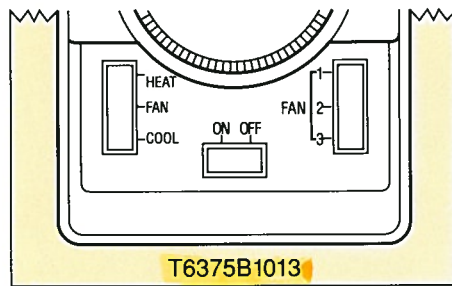
Ventilation	
2-Pipe Fan-Coil	
4-Pipe Fan-Coil	✓
Air Conditioner	*
Heat Pump	

\* optional

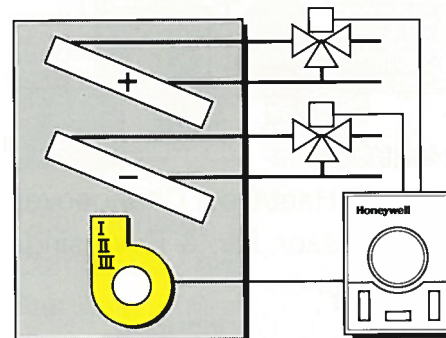


## Control Capability

	HEAT OR COOL	HEAT/COOL	CHANGEOVER	FAN CONTROL	AUTO OR CONTINUOUS	FAN SPEED CONTROL	VALVE CONTROL	COMPRESSOR CONTROL
T6375B1013	✓	MANUAL	CONT	✓	✓			
T6375B1021	✓	MANUAL	CONT	✓	✓			
T6375C1003	✓	AUTO	CONT	✓	✓			

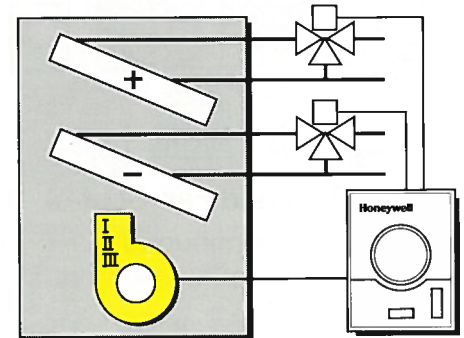


## T6375B



Heat/Cool  
Manual Heat/Cool Changeover  
Fan Continuous

## T6375C



Heat/Cool  
Auto Heat/Cool Changeover  
Fan Continuous

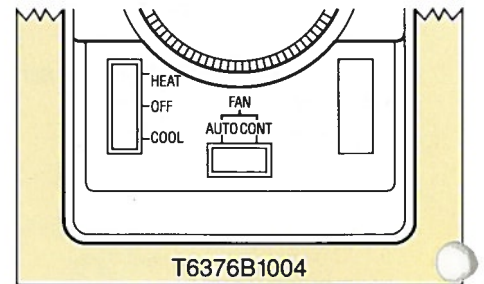
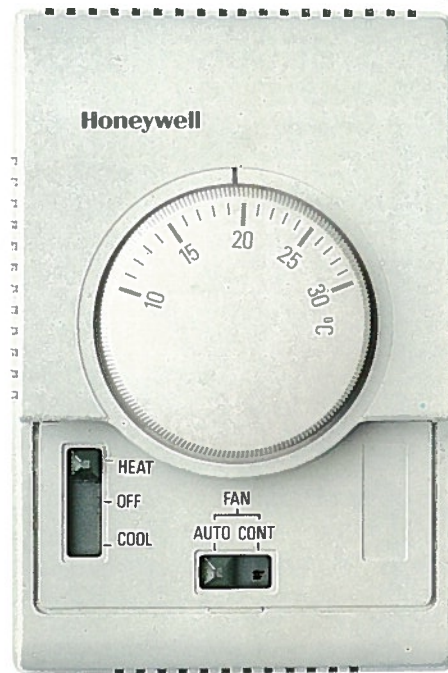


# XE76

## Application

Ventilation	
2-Pipe Fan-Coil	
4-Pipe Fan-Coil	
Air Conditioner	✓
Heat Pump	✓

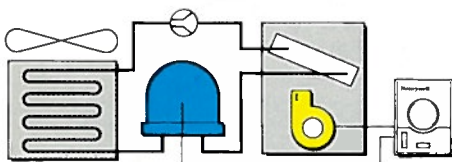
\* optional



## Control Capability

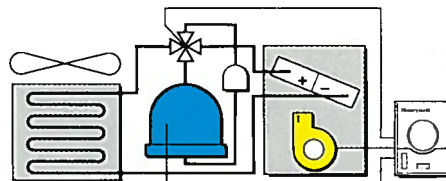
		HEAT OR COOL	HEAT/COOL	CHANGEOVER	FAN CONTROL	AUTO OR CONTINUOUS	FAN SPEED CONTROL	VALVE CONTROL	COMPRESSOR CONTROL
T6376B1004	✓	MANUAL	EITHER		✓	✓			

### T6376B

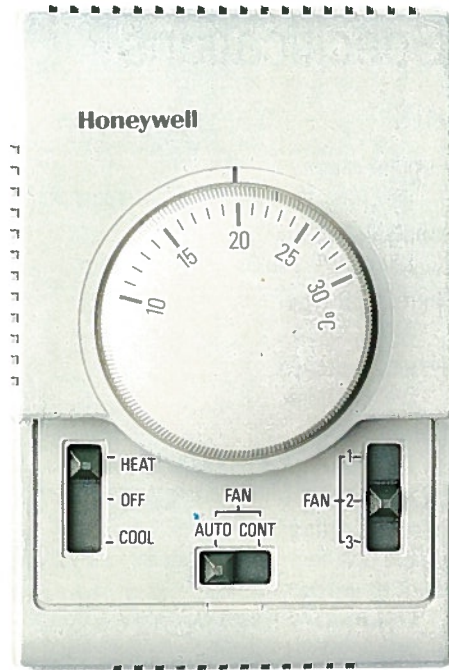
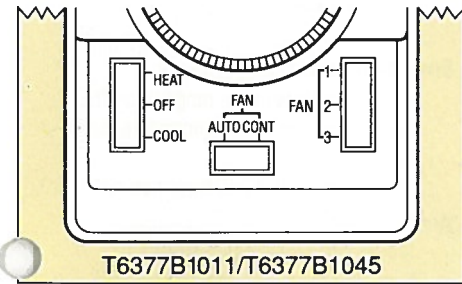
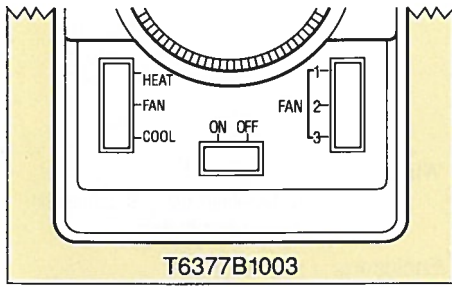


Cool (or heat)  
Compressor and Fan Control  
Fan Auto or Continuous

### T6376B



Heat/Cool  
Manual Heat/Cool Changeover  
Compressor, Fan & Reversing  
Valve Control  
Fan Auto or Continuous



# XE77

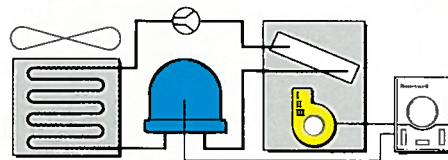
## Application

Ventilation	
2-Pipe Fan-Coil	
4-Pipe Fan-Coil	
Air Conditioner	✓
Heat Pump	✓

## Control Capability

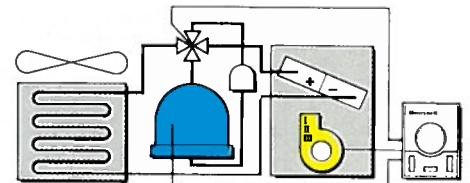
	HEAT OR COOL	HEAT/COOL	CHANGEOVER	FAN CONTROL AUTO OR CONTINUOUS	FAN SPEED CONTROL	VALVE CONTROL	COMPRESSOR CONTROL
T6377B1003	✓	MANUAL	CONT	✓	✓	✓	
T6377B1011	✓	MANUAL	EITHER	✓	✓	✓	
T6377B1045	✓	MANUAL	EITHER	✓	✓	✓	

### T6377B



Cool (or heat)  
Compressor and Fan Control  
Fan Auto or Continuous

### T6377B

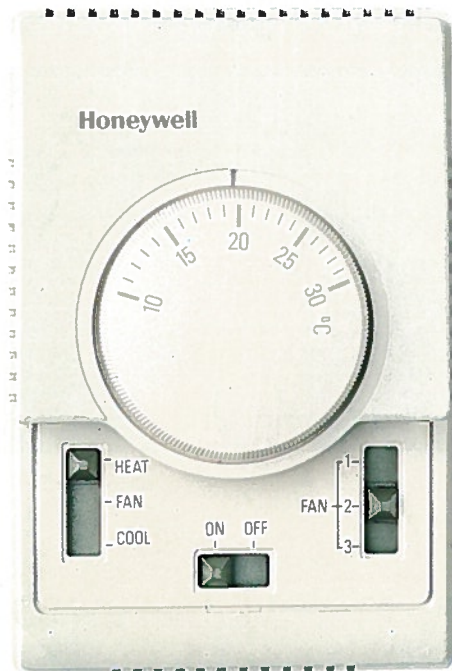


Heat/Cool  
Manual Heat/Cool Changeover  
Compressor, Fan & Reversing  
Valve Control  
Fan Auto or Continuous



# Series Specifications

## Thermostats



**Setpoint range:**

10 ... 30°C. By means of a large setpoint dial

**Supply voltage:**

230 V~, 50 ... 60 Hz

**Thermostat type:**

S.P.D.T.

**System switches:**

See table below

**Performance:**

Typical differential 1 K (heating & cooling) at 20°C at 50% load with anticipator connected

**Electrical rating:**

See table below. Typical loads are fans, valves, relays and compressors.

Compressors of greater than 500 W should be switched via a contactor.

**Operational life:**

Greater than 100,000 cycles (all loads) for thermostat contacts at 230 V~

Greater than 6,000 operations for all manually operated switches.

**Mounting:**

Mounts directly onto wall or wall-box using screws supplied.

**Wiring:**

Up to 9 screw terminals per unit, capable of accepting wires up to 1.5mm<sup>2</sup>.

**Enclosure:**

Plastic 2-piece housing

**Dimensions:**

85 x 130 x 40 mm (w x h x d)

**Protection class:**

IP30

**Environmental requirements:**

Operating temperature range 0 to 40°C

Shipping and storage temperature range -20 to 50°C

Humidity range 0 to 90% rh, non-condensing

**Accessories:**

Range stops – F42006646-001

Pipe Thermostat – L641B1004

Fan Speed Switch – Q6370A1007

**Approvals:**

CE mark, complies with Standards

EN60730-1 (1992)

EN55014 (1993)

EN50082-1 (1992)

		FAN SWITCH			SYSTEM SWITCH				2-STAGE WITH DEADBAND	AUTO CHANGE-OVER	SWITCH RATING
		ON/OFF SWITCH (SPST)	FAN I FAN II FAN III (SPTT)	FAN AUTO FAN CONT (SPDT)	HEAT COOL (SPDT)	HEAT COOL (DPDT)	HEAT OFF COOL (DPTT)	HEAT FAN COOL (DPTT)			
XE70	T6370A1010										4(2) A
XE71	T6371A1019	●	●								4(2) A
	T6371B1017	●	●		●						4(2) A
	T6371C1015	●	●						*		4(2) A
XE72	T6372A1018	●									4(2) A
	T6372B1024				●						4(2) A
	T6372B1032	●			●						4(2) A
	T6372C1014	●							*		4(2) A
XE73	T6373A1017	●	●								4(2) A
	T6373B1015	●	●		●						4(2) A
	T6373B1064	●	●		●						4(2) A
	T6373C1013	●	●						*		4(2) A
XE74	T6374C1004							●			4(2) A
	T6374C1012	●						●			4(2) A
XE75	T6375B1013	●	●							●	4(2) A
	T6375B1021	●	●			●					4(2) A
	T6375C1003	●	●					●			4(2) A
XE76	T6376B1004			●			●				4(2) A
XE77	T6377B1003	●	●							●	4(2) A
	T6377B1011		●	●			●				4(2) A
	T6377B1045		●	●			●				4(2) A

\* When used with L641B1004 Pipe Thermostat